



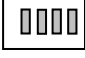


FJ-RC-WIFI-1

Switch positions

Please, make sure that switches are placed in the right position as per your desired settings.

Binary value b ₃ ...b ₀	Decimal value	Switches 1 2 3 4	Description
x0xx	0	x ↓ x x	Type B indoor unit
x1xx	1	x ↑ x x	Type A indoor unit
xxx0	0	x x x ↓	Slave (default value) – A Fujitsu Controller must be present in the RWB remote controller bus, configured as Master. (RC bus= 1-Red, 2-White, 3-Black)
xxx1	1	x x x ↑	Master in remote controller bus – Fujitsu Controller not needed in the RC bus. If existing, it must be configured as Slave.

AC System Type	Switch configuration	Type
RAC non inverter models RAC inverter models	 (x ↑ x x)	A
VRF V / S / J	 (x ↑ x x)	A
RAC inverter model G* series VRF J-II / V-II / VR-II	 (x ↓ x x)	B

Ambient temperature

Ambient temperature can be obtained from two different sources:

From the IntesisHome Device

Under the following situations, the IntesisHome internal temperature sensor is the one providing the ambient temperature:

- IH device connected to an AC unit with **no Remote Controller** present.
- IH device connected to an AC unit with an **IR Remote Controller** present.
- IH device connected to an AC unit with a **Simple Remote Controller** (without temperature sensor) present.
- IH device connected to an AC unit with an external switch controller present.

NOTE: IntesisHome internal temperature sensor can be used as a reference for the ambient temperature. Values obtained from the internal sensor may vary from the ones shown in the remote controller or any other temperature sensor. These variances may be related to location of both devices, sensitivity of the probe among others.

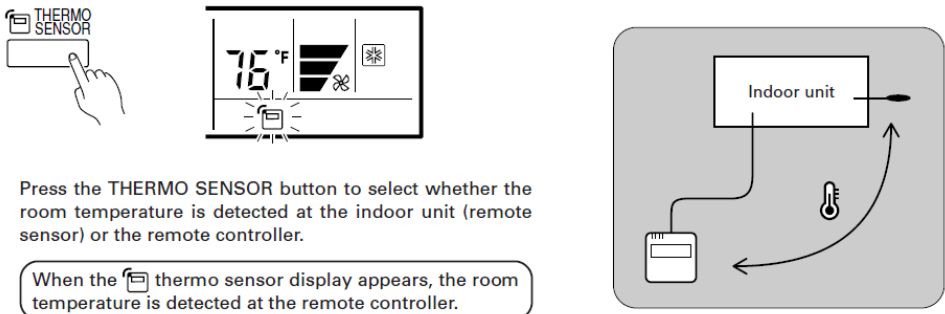
From the Fujitsu AC system

Under the following situation, the Fujitsu AC system is the one providing the ambient temperature:


- IH device connected to an AC unit with a **Standard Remote Controller** present and the room sensor on the Remote Controller is activated.

Detailed information on how to set up this in the Remote Controller can be found in the following extract from the Fujitsu remote controller manual.


Room temperature sensor selection



Press the THERMO SENSOR button to select whether the room temperature is detected at the indoor unit (remote sensor) or the remote controller.

When the  thermo sensor display appears, the room temperature is detected at the remote controller.

NOTES

- This function is locked at the factory. In order to detect the room temperature correctly, consult authorized service personnel when using this function.
- If this function is locked, the location where the room temperature is detected cannot be changed and the  mark flashes when the THERMO SENSOR button is pushed.