

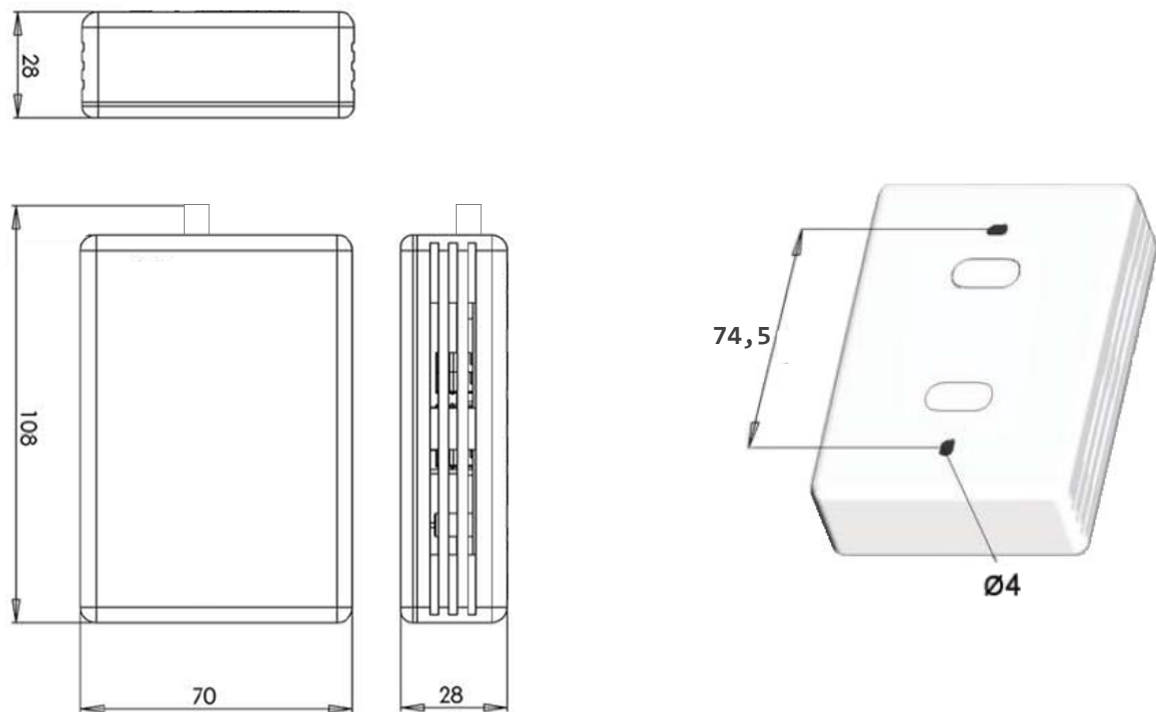


# IntesisHome®

## LG-RC-WiFi-1

### Wi-Fi interface for LG AC units

#### 1. Dimensions



**Figure 1.1** IntesisHome® device dimensions in mm and back view with fixing holes

## 2. Technical Features

<b>Enclosure</b>	ABS (UL 94 HB). 2,5 mm thickness
<b>Dimensions</b>	70 x 108 x 28 mm
<b>Weight</b>	80g
<b>Colour</b>	White
<b>Power supply</b>	12V, 60mA typical Doesn't require external power supply (supplied by the AC Unit)
<b>Mounting</b>	Wall
<b>LED indicators</b>	1 x Device status
<b>Operating Temperature</b>	From 0°C to 40°C
<b>Operating humidity</b>	<93% HR, no condensation
<b>Stock humidity</b>	<93% HR, no condensation
<b>RoHS conformity</b>	Compliant with RoHS directive (2002/95/CE).
<b>Certifications</b>	CE conformity to EMC directive (2004/108/EC) and Low-voltage directive (2006/95/EC) <ul style="list-style-type: none"> <li>• EN 60950-1</li> <li>• EN 301489-1 v1.8.1</li> <li>• EN 301489-17 v2.1.1</li> </ul>

**Table 2.1** Technical features