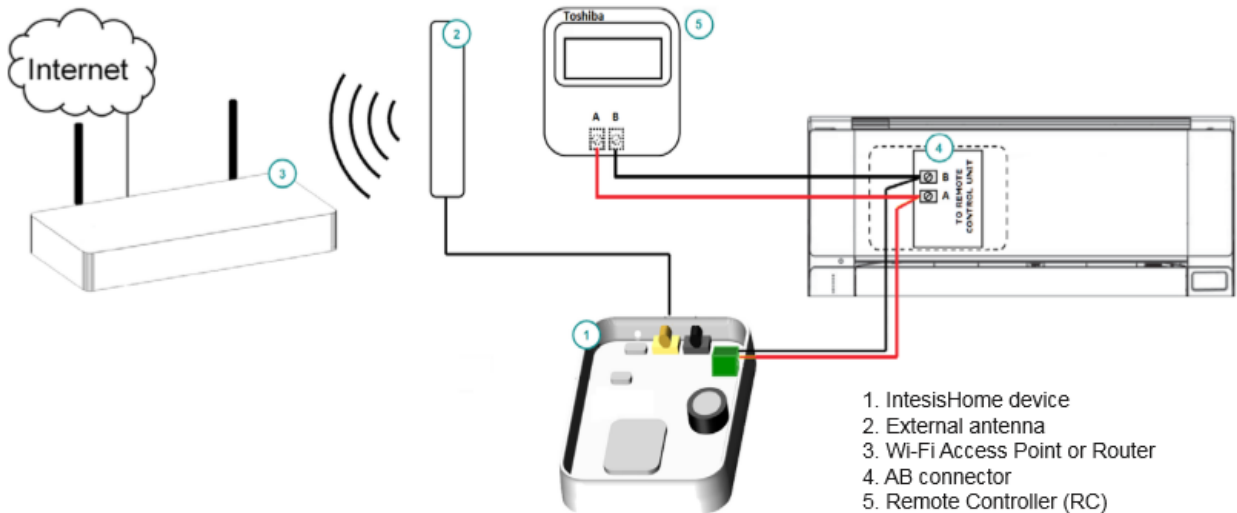




# IntesisHome®

## TO-RC-WIFI-1



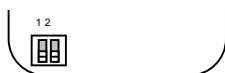
- 1. IntesisHome device
- 2. External antenna
- 3. Wi-Fi Access Point or Router
- 4. AB connector
- 5. Remote Controller (RC)

To connect the TO-RC-WIFI-1 interface to the AC indoor unit follow these steps:

Disconnect mains power from the AC unit. Open the front cover of the indoor unit in order to have access to the electronic circuit. In the electronic circuit locate the socket connector marked as AB<sup>1</sup>:

Using a cable connect the interface to AB bus in any point of the bus. The AB bus is the bus that connects the AC indoor unit and the wired remote controller, is a two-wire bus connecting terminals AB of both and has no specific polarity. Respect the maximum distance of 500 m for the bus length.

**IMPORTANT:** In case of having a Toshiba’s Control Panel (not mandatory), DIP switch of the Toshiba Control Panel should be always set into *Follower* position.



Back view of the Toshiba’s Control Panel

Switches		Function
1	2	
↑	↓	Toshiba’s remote controller as <i>Follower</i> .

<sup>1</sup> In some models, the AB connector is not present. Find the Control Panel (remote controller) bus and connect the cable coming from the IntesisBox gateway into these cables as if they were the AB connector.